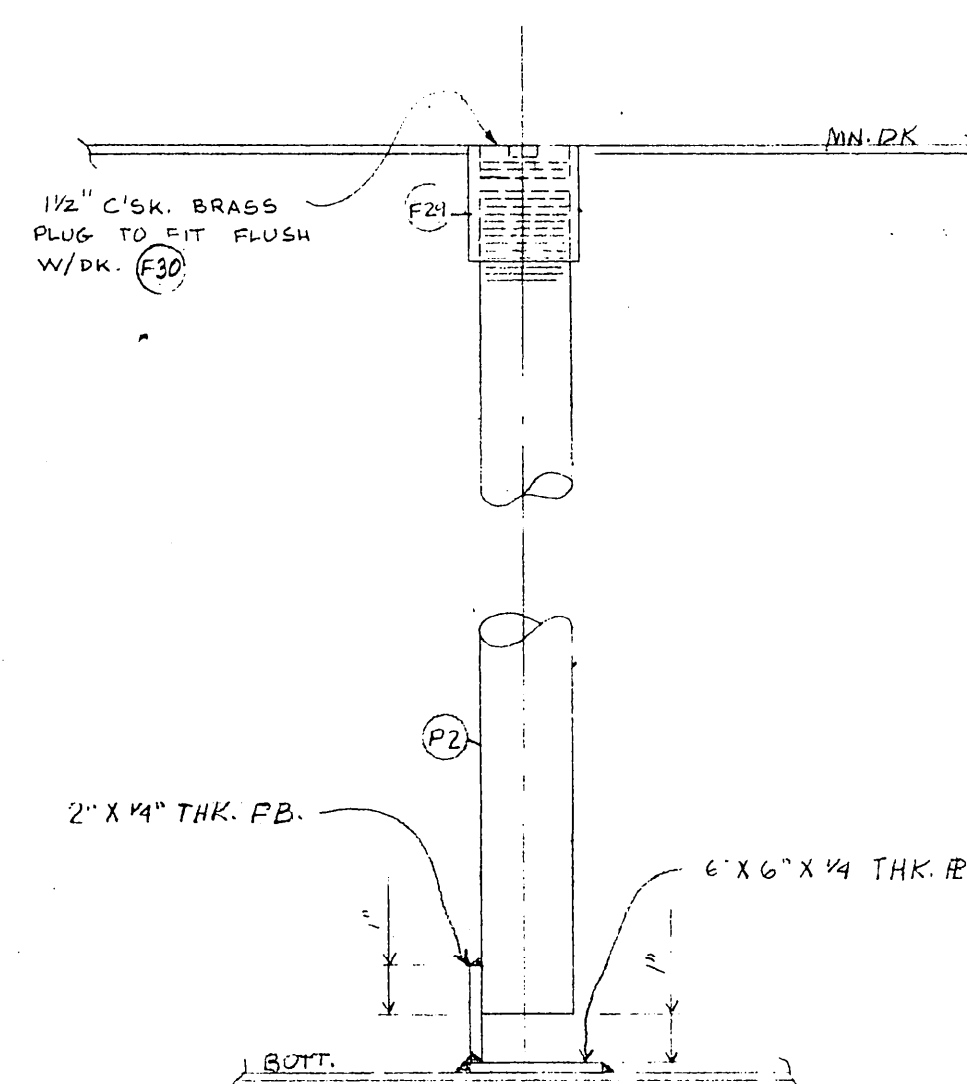
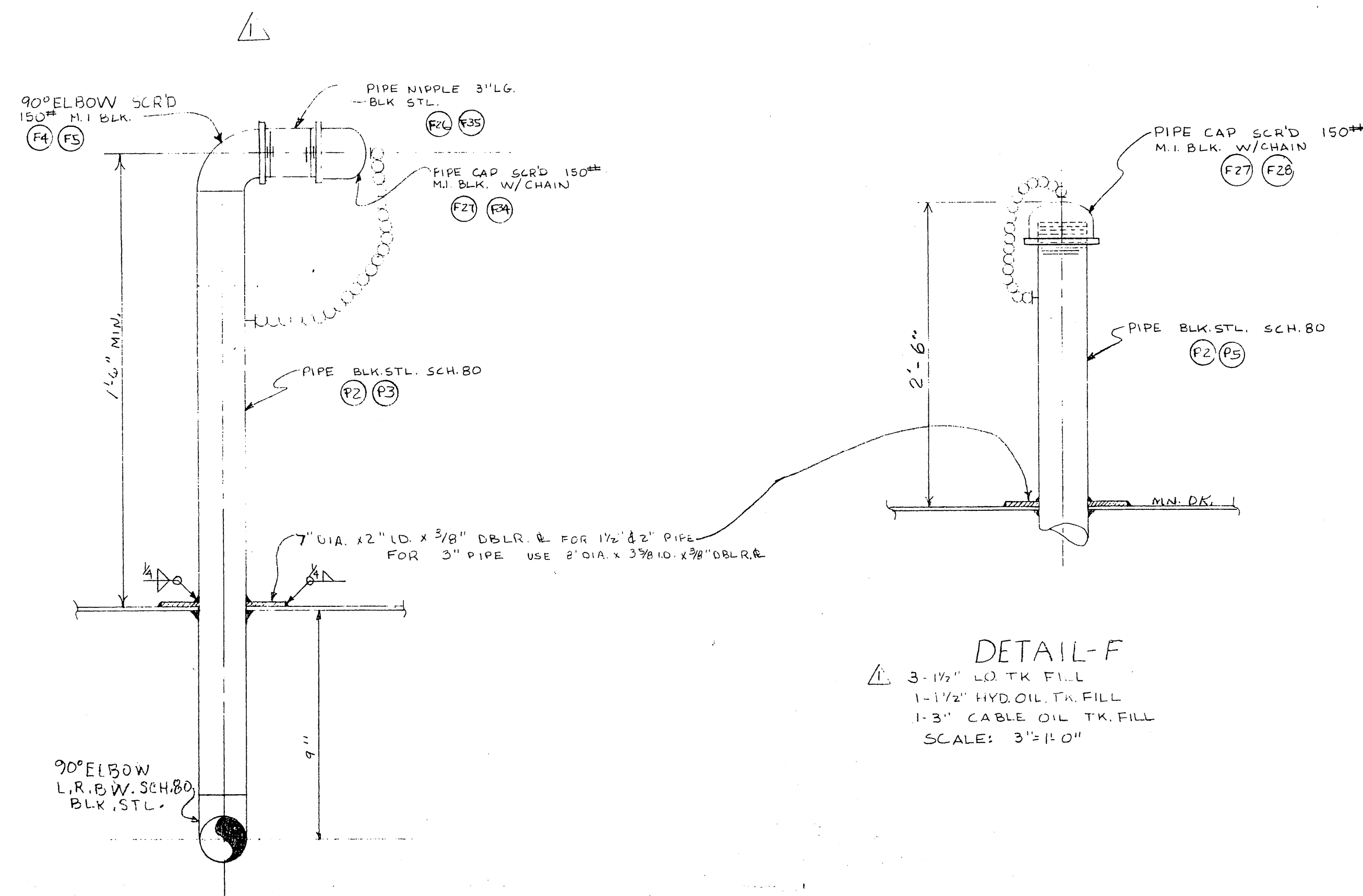


REV. MK	DESCRIPTION	BY	DATE	APPROV.
1	REVISED DWG. PER OWNER'S MARKED UP PRINT	M.B.	7/30/79	P.C.B.
2	REVISED DWG. PER MARKED UP PRINT FROM DALE GEEBDE	B.A.	8/13/81	
3	REVISED DWG. PER DALE GEEBDE'S MARKED UP PRINT.	B.A.	9/10/81	

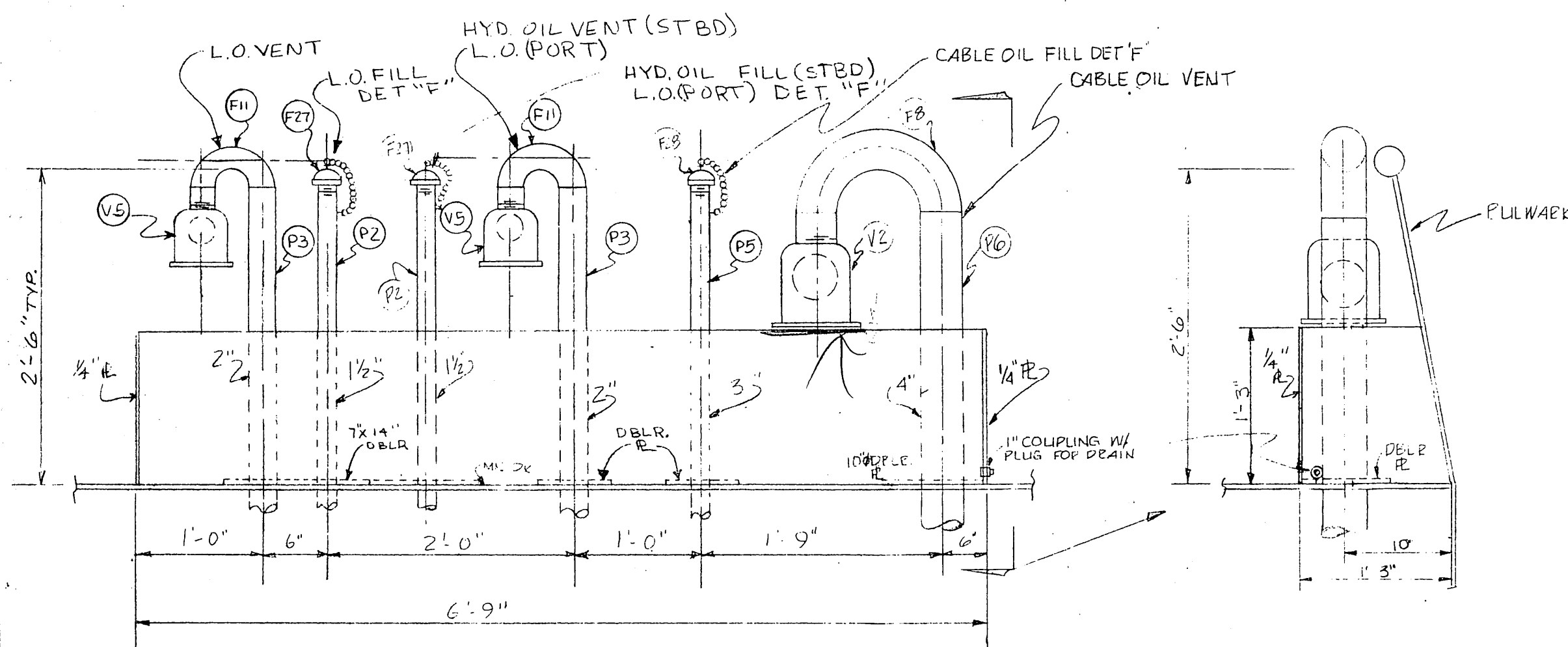


TYP. SOUNDING TUBE DETAIL  
SCALE: 3"=1'-0"



TYP. FILL DET.  
2-1 1/2" POT WTR. TK. FILL,  
4-2" FEED WTR. TK. FILL  
SCALE: 3"=1'-0"

DETAIL-F  
3-1 1/2" L.O. TK. FILL  
1-1 1/2" HYD. OIL TK. FILL  
1-3" CABLE OIL TK. FILL  
SCALE: 3"=1'-0"



DETAIL "C"  
SCALE: 1"=1'-0"

PC. MK.	QTY	SIZE	DESCRIPTION	MAT'L	REMARKS
P1	10'	1"	PIPE SCH 80 SMLS	BLK. STL.	ASTM A53 GR. B. ANSI B36.10
P2	262'	1 1/2"			
P3	70'	2 1/2"			
P4	11.5'	2"			
P5	3.5'	3"			
P6	8.5'	4"			
P7	200'	5"			
F1	11	5"	90° ELBOW L.R.B.W. SCH 80 SMLS	GRINNELL OR EQ.	ASTM A234 GR. B. ANSI B16.9
F2	2	3"			
F3	6	2 1/2"			
F4	2	2"			
F5	2	1 1/2"			
F6	6	5"	180° RETURN S.R.B.W. SCH 80 SMLS		
F7	8	5"	180° RETURN L.R.B.W. SCH 80 SMLS		
F8	1	4"			
F9	1	3"			
F10	8	2 1/2"			
F11	7	2"			
F12	2	1 1/2"			
F16	14	5"	PIPE NIPPLE SCH 80 SMLS T.O.E.		ASTM A53 GR. B. ANSI B36.10
F17	1	4"			
F18	1	3"			
F19	4	2 1/2"			
F20	11	2"			
F21	2	1 1/2"			
V1	14	5"	VENT. CHECK VALVE SCR'D		BRZ. MEMARCO NO. VC-100 OR EQUAL
V2	1	4"			
V3	1	3"			
V4	8	2 1/2"			
V5	7	2"			
V6	2	1 1/2"			
F36	4	4"	90° ELBOW L.R.B.W. SCH. 80 SMLS	GRINNELL OR EQ.	BLK. STL. ASTM A234 GR. B. ANSI B16.9
V7	6	1"	GATE VALVE SCR'D 150°		BRZ. CRANE #431-UB OR EQ. ASTM B62
F24	6	1"	PIPE PLUG SQ. HD. 3000° SCR'D		FORGE STL. GRINNELL OR EQ. ASTM A105 ANSI B16.11
F25	6	1 1/2"	90° ELBOW SCR'D 150°		M.I. BLK. GRINNELL OR EQ. ASTM A197 ANSI B16.3
F26	2	1 1/2"	PIPE NIPPLE 3" LG. SCR'D SCH 80		BLK. GRINNELL OR EQ. ASTM A53 GR. B. ANSI B36.10
F27	4	1 1/2"	PIPE CAP SCR'D 150° W/CHAIN		M.I. BLK. GRINNELL OR EQ. ASTM A197 ANSI B16.3
F28	1	3"			
F29	16	1 1/2"	FULL COUPLING SCR'D 3000°		FORGE STL. GRINNELL OR EQ. ASTM A105 ANSI B16.11
F30	16	1 1/2"	C'SK. PLUG SCR'D		BRASS
F31	6	1"	FULL COUPLING SCR'D 3000°		FORGE STL. GRINNELL OR EQ. ASTM A105 ANSI B16.11
F32	2	2 1/2"	90° ELBOW SCR'D 150°		M.I. BLK. ASTM A197 ANSI B16.3 GRINNELL OR EQ.
F33	4	2"	90° ELBOW SCR'D 150°		M.I. BLK. ASTM A197 ANSI B16.3
F34	4	2"	PIPE CAP SCR'D 150° W/CHAIN		
F35	8	2"	PIPE NIPPLE 3" LG. SCR'D SCH 80		BLK. STL. GRINNELL OR EQ. ASTM A53 GR. B. ANSI B36.10
V8	2	1 1/2"	QUICK OPENING SELF-CLOSING GATE VALVE SCR'D		BRONZE POWELL FIG. NO. 355-D OR EQ. ASTM B62

NOTE:  
WORK THIS DWG. W/DWG. C-2062-30

CONST.

**DESIGN ASSOCIATES, INC.**  
NAVAL ARCHITECTS MARINE ENGINEERS  
NEW ORLEANS, LA.

TIDEWATER MARINE SERVICE  
MISSISSIPPI MARINE TONBOAT HULL #90

143' X 36' X 10' SEISMIC VESSEL

DETAILS OF FILL VENT & SOUNDING  
SHEET 2

Drawn: B.A., M.B.	Date:	Checked: P.C.B.
Traced:	Date:	Checked:
Aprvd:	Date:	Scale: 3"=1'-0"

Sheet 2 of 2 Drawing No. C-2062-30